

## Wi-Fi HaLow™ RF Module

Part#: MRF61\_FI

An exceptional IEEE802.11ah (Wi-Fi HaLow™) RF module featuring the latest transceiver IC from Morse Micro.

### ■ Features

#### 1. Access Point or End Point

Multi-functional RF module works as an access point or an end point

#### 2. Simplified Design

Dedicated to Wi-Fi HaLow™ communication with minimal features for less footprint and cost

#### 3. FCC/ISED Certified

The module has FCC/ISED certification so that the final product only needs very little effort to comply. Other regional models are also available

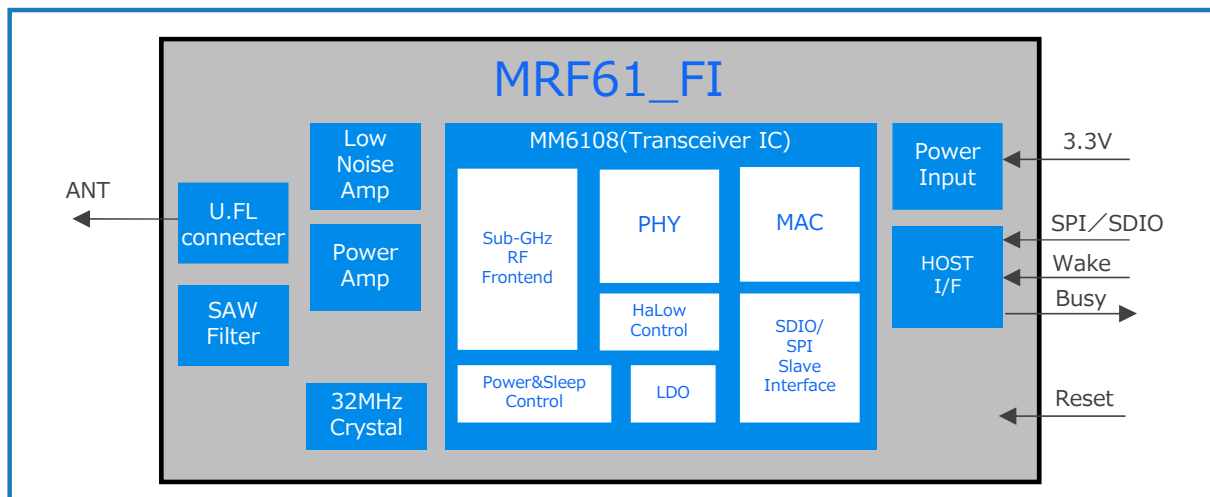
### ■ Top View

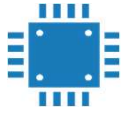


### ■ Specifications

Wireless	IEEE802.11ah	Dimension	W:23mm x D:14mm x H:2.25mm
RF IC	Morse Micro MM6108	Certification	FCC, ISED
		Antenna Conn.	U.FL
Host Interface	SDIO, SPI	Maximum TX Power	20dBm
Data Rate	150K - 32.5Mbps	Power Supply	3.3V
Range	>1km		
Mount Type	Surface Mount	Operation Temp.	-40°C - 85°C

### ■ Block Diagram





## Wi-Fi HaLow™ Raspberry Pi Add-on Board

Part#: MRF61\_HAT\_FI

An expansion board that works as IEEE802.11ah (Wi-Fi HaLow™) Raspberry Pi Add-on Board, firmware configurable as an access point or an end point for an out-of-the-box Wi-Fi HaLow™ experience.

This board also works with other host systems via SDIO/SPI interface.

※Raspberry Pi® is a registered trademark of Raspberry Pi Foundation.

### ■ Features

#### 1. Raspberry Pi Hat Interface

Directly connects to Raspberry Pi via 40pin connector

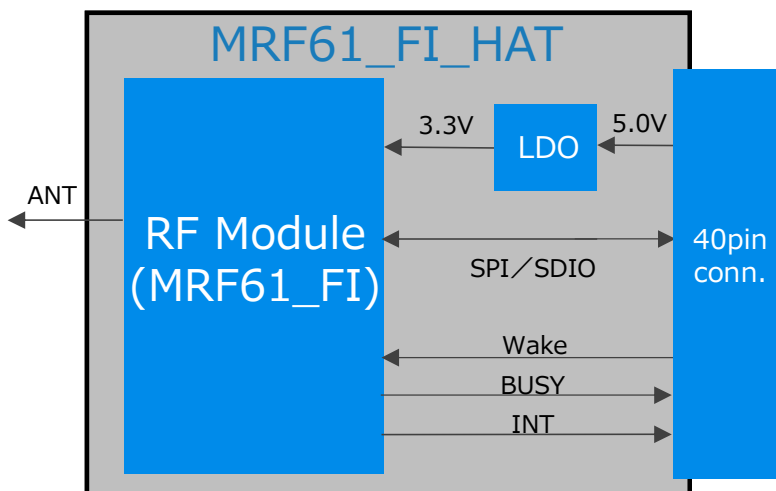
#### 2. SDIO/SPI Host Interface

SDIO/SPI host interface for host systems other than Raspberry Pi

### ■ Specification

Wireless	IEEE802.11ah	Dimension	W:56mm x D:65mm x H:22mm
RF Module	MegaChips MRF61_FI	Certification	FCC, ISED
Host Interface	SDIO, SPI	Max TX power	20dBm
Data Rate	150K – 32.5Mbps	Antenna Conn.	U.FL
Range	>1km	Power Supply	DC5.0V
Mount Type	40pin (2x20 2.54mm pitch)	Operation Temp.	-40°C - 85°C

### ■ Block Diagram



### ■ Block Diagram

