

An expansion board that works as IEEE802.11ah (Wi-Fi HaLow™) Raspberry Pi Add-on Board, firmware configurable as an access point or an end point for an out-of-the-box Wi-Fi HaLow™ experience.

This board also works with other host systems via SDIO/SPI interface.

※Raspberry Pi® is a registered trademark of Raspberry Pi Foundation.

■ Features

1. Raspberry Pi Hat Interface

Directly connects to Raspberry Pi via 40pin connector

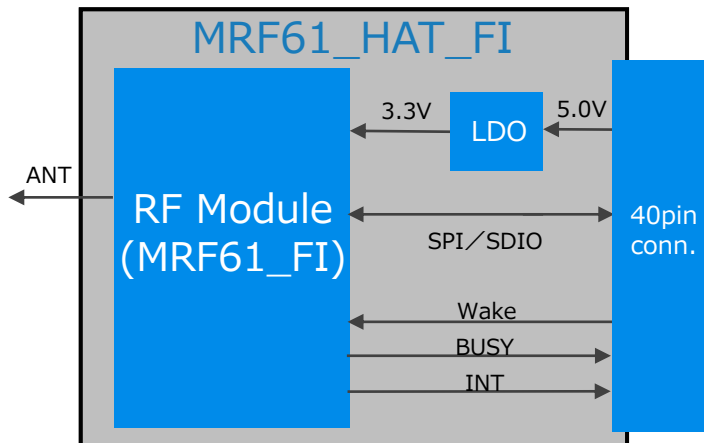
2. SDIO/SPI Host Interface

SDIO/SPI host interface for host systems other than Raspberry Pi

■ Specification

Wireless	IEEE802.11ah	Dimension	W:56mm x D:65mm x H:22mm
RF Module	MegaChips MRF61_FI	Certification	FCC, ISED
Host Interface	SDIO, SPI	Max TX power	20dBm
Data Rate	150K – 32.5Mbps	Antenna Conn.	U.FL
Range	>1km	Power Supply	DC5.0V
Mount Type	40pin (2x20 2.54mm pitch)	Operation Temp.	-40°C - 85°C

■ Block Diagram



■ Top View

